



IP39 SERIES (Single Input)

Features:

- Two-piece aluminum housing for high strength, corrosion resistance and thermal capacity
- Precision machined for exact gear mesh and bearing preload
- Standard ratio 6.09:1
- Single hydraulic motor input
- Tapered roller bearings provide increased load capacity and bearing life

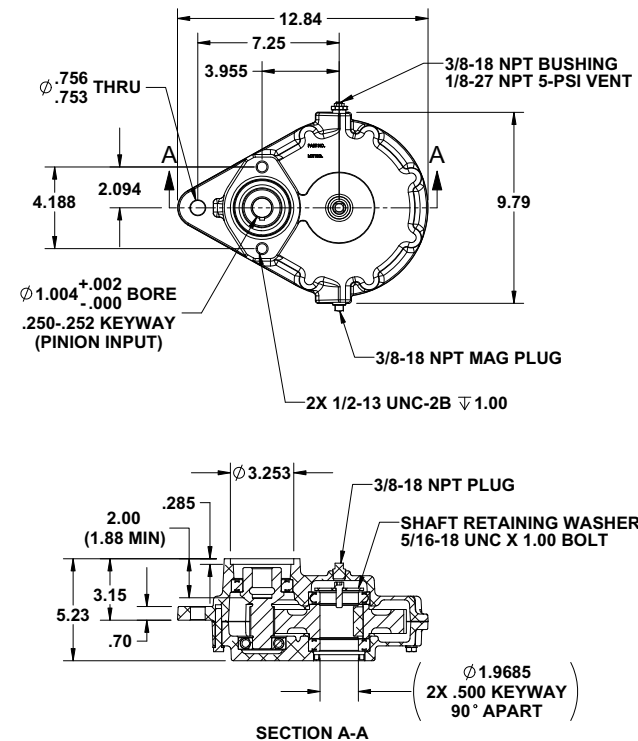


Ratio	Gear Design	Input RPM				
		120	360	720	1000	
6:1	11T, 67T From Forged Steel	Input HP	1.43	3.53	6.26	8.21
		Output Torque	4565	3764	3336	3153

Torque measured in inch-lbs

Ratio	Gear Design	Input RPM				
		60	120	500	1000	
6:1	11T, 67T From Forged Steel	Input kW	1.06	2.63	4.67	6.13
		Output Torque	516	425	377	356

Torque measured in N-m



Contact Superior Gearbox for your special requirements.